



Features

- . Wide input 90V to 264VAC, 50~60Hz suitable for worldwide
- . Output voltage selectable from 12V to 48Vdc constant voltage
- . Protections: Short Circuit / Overload / Over Voltage Protection
- . 100% full load burn-in test for 2Hrs to make every unit reliable.
- . Built-in active PFC, PF>0.95. High efficiency up to 88.5%
- . High efficiency, long life and high reliability, 2 years warranty
- . LED indicator for power on and cooling by free air convection

Safety Standards

- . IEC62368-1 CB report for worldwide use
- . UL62368-1 + CAN/CSA 62368-1 for USA and Canada
- . EN 62368-1:2014/A11:2017 for European Union
- . AS/NZS 62368.1:2018 for Australia and New Zealand
- . J62368-1 for Japan and GB4943.1 for China market.



Product Description:

It is a highly reliable and 240W DIN rail switching power supply solution with wide range 90-264Vac input and built-in PFC function and PF>0.95. It is designed strictly according to the international safety standards. The entire series supplies different models with output voltages ranging between 12Vdc and 48Vdc that can satisfy the demands for various types of industrial control system, semiconductor fabrication equipment, factory automation, elector-mechanical apparatus and so on. This 240W DIN rail switching power supply utilizes metal with free air convection cooling. The power supply can be installed on DIN rail TS-35/7.5 or TS-5/15 mounting rails.

Technical Specification

Typ. Model	GLDR-240S-12	GLDR-240S-15	GLDR-240S-24	GLDR-240S-36	GLDR-240S-48
Output					
Output Voltage	12VDC	15VDC	24VDC	36VDC	48VDC
Rated Current	20A Max.	16A Max.	10A Max.	6.67A Max.	5A Max.
Current Range	0 ~ 20A	0 ~ 16A	0 ~ 10A	0 ~ 6.67A	0 ~ 5A
Output Power	240W Max.	240W Max.	240W Max.	240W Max.	240W Max.
Voltage Tolerance	±1%	±1%	±1%	±1%	±1%
Ripple & Noise	150mVp-p	200mVp-p	200mVp-p	250mVp-p	300mVp-p
Input					
Input voltage	90 - 264Vac or 127- 374Vdc				
Input Frequency	50-60Hz (When the input is AC)				
Input Current	3A Max. @ 100 ~240Vac 50/60Hz input				
Inrush Current	35A Max. @ 100 ~240Vac 50/60Hz input				
Efficiency (Typ.)	86%	86%	88%	88%	88%
Leakage Current	≤2mA @ full input range				
Protections					
Over current	105~130% rated output power. Auto-Recovery when the fault is removed				
Short Circuit	No damage. Auto-Recovery when the fault is removed				
Over temperature	Shut down o/p voltage, re-power on to recover				
Environmental					
Operation Temperature	-20°C to +45°C, 20%RH to 90%RH				
Storage Temp, Humidity	-45~ +85°C, 10%RH to 95%RH				
Operation Altitude	≤3000m @ full load and rated operating temperatures				
MTBF	≥50000Hrs @ full load and rated operating temperatures				
Mechanical					
Dimensions (W x H x D)	63.0 x 125.2 x 113.5mm (2.48 x 4.93 x 4.47 inch)				
Unit Weight	1000g±80 grams				
Packing Information	12pcs/ Carton, carton dimensions:47*37*20cm, 13.2kgs/ Carton				

TEST REPORT

OUTPUT FUNCTION TEST

NO	TEST ITEM	SPECIFICATION	TEST CONDIDTION	RESULT	VERDICT
1	RIPPLE & NOISE	150mVp-p (Max)	I/P:230VAC / O/P:FULL LOAD / Ta:25°C	86mVp-p	P
2	VOLTAGE TOLERANCE	-1% ~ +1% (Max)	I/P:90VAC~264VAC O/P:FULL~MIN. LOAD / Ta:25°C	-0.6% ~ +0.6% of output voltage	P
3	LINE REGULATION	-0.5% ~ +0.5% (Max)	I/P:90VAC ~264VAC O/P:FULL LOAD / Ta:25°C	-0.05% ~ +0.05% of output voltage	P
4	LOAD REGULATION	-1% ~ +1% (Max)	I/P:230VAC O/P:FULL ~MIN LOAD / Ta:25°C	-0.52% ~ +0.52% of output voltage	P
5	OVER/UNDERSHOOT	<±5%	I/P: 230VAC O/P:FULL LOAD / Ta:25°C	0.8%	P
6	SET UP TIME	1500 mS (Max)	I/P:230VAC O/P:FULL LOAD / Ta:25°C	980 mS	P
7	RISE TIME	60 mS (Max)	I/P: 230VAC O/P:FULL LOAD / Ta:25°C	38 mS	P
8	HOLD UP TIME	20 mS (Min)	I/P: 115VAC O/P:FULL LOAD / Ta:25°C	24 mS	P

INPUT FUNCTION TEST

NO	TEST ITEM	SPECIFICATION	TEST CONDIDTION	RESULT	VERDICT
1	VOLTAGE RANGE	90VAC~264VAC	I/P:TESTING O/P:FULL LOAD / Ta:25°C	80V~264V	P
2	FREQUENCY RANGE	50HZ - 60HZ (Typ) NO DAMAGE OSC	I/P: 100VAC ~ 240VAC O/P:FULL~MIN LOAD / Ta:25°C	TEST: OK	P
3	EFFICIENCY	88% (Typ)	I/P:230VAC O/P:FULL LOAD / Ta:25°C	8.913%	P
4	AVERAGE EFFICIENCY	>86%	I/P:115/230VAC & O/P:25%、50%、75%、100% LOAD & Ta:25°C	87.01% (115VAC) 87.37% (230VAC)	P
5	AC CURRENT	3.0A (Max)	I/P:100VAC & O/P:FULL LOAD Ta:25°C	2.25A	P
6	INRUSH CURRENT	<35A COLD START	I/P: 230VAC / O/P:FULL LOAD Ta:25°C	23.76A	P
7	LEAKAGE CURRENT	<2mA	I/P:240VAC & O/P:Min LOAD Ta:25°C	L-FG:0.91mA N-FG:0.89mA	P

PROTECTION FUNCTION TEST

NO	TEST ITEM	SPECIFICATION	TEST CONDIDTION	RESULT	VERDICT
1	OVER LOAD PROTECTION	105 ~ 130% (Typ)	I/P:230VAC & O/P:TESTING Ta:25°C	112.9% HICCUP MODE	P
2	OVER VOLTAGE PROTECTION	115 ~ 135% (Typ)	I/P:230VAC O/P:MIN LOAD & Ta:25°C	Hiccup mode ,recovers automatically after fault condition is removed	P
3	SHORT PROTECTION	SHORT OUTPUT 1 HOUR NO DAMAGE	I/P:264VAC O/P:FULL LOAD & Ta:25°C	NO DAMAGE HICCUP MODE	P

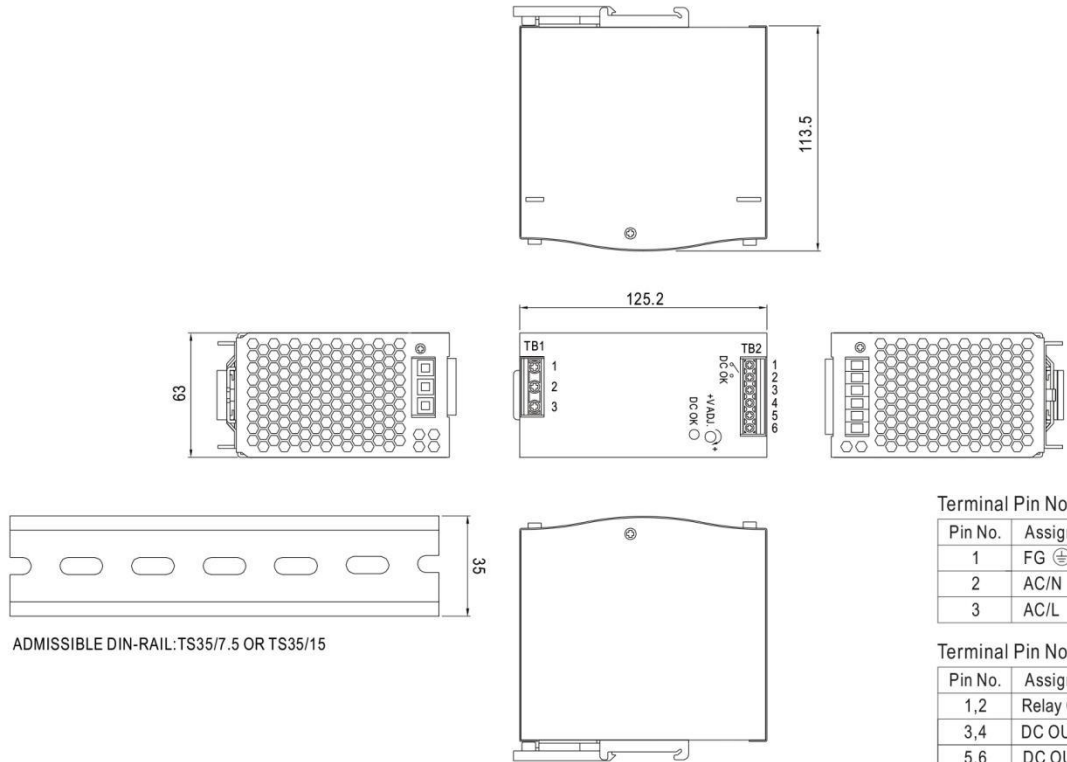
SAFETY TEST & E.M.C TEST

NO	TEST ITEM	SPECIFICATION	TEST CONDIDTION	RESULT	VERDICT
1	WITHSTAND VOLTAGE	I/P-O/P: 3KVAC/min I/P- FG: 2KVAC/min O/P-FG:0.5KVAC/min	I/P-O/P: 3.6 KVAC/min I/P-FG: 2.4 KVAC/min O/P-FG:0.6 KVAC/min Ta:25°C	I/P-O/P:3.69mA I/P-FG: 3.46mA O/P-FG:2.95mA NO DAMAGE	P
2	ISOLATION RESISTANCE	I/P-O/P:500VDC>100MΩ I/P-FG: 500VDC>100MΩ O/P-FG:500VDC>100MΩ	I/P-O/P: 500 VDC I/P-FG: 500 VDC O/P-FG: 500 VDC Ta:25°C	I/P-O/P: 9999MΩ I/P-FG: 9999MΩ O/P-FG:9999 MΩ NO DAMAGE	P
3	CONDUCTION	BS EN/EN55032(CISPR32), FCC PART 15 / CISPR22 CAN	I/P: 230 VAC (50HZ) O/P: FULL/50% LOAD Ta: 25°C	PASS Test by certified Lab	P
4	RADIATION	BS EN/EN55032(CISPR32), FCC PART 15 / CISPR22 CAN	I/P: 230 VAC (50HZ) O/P: FULL LOAD Ta: 25°C	PASS Test by certified Lab	P
5	SURGE	BS EN/EN61000-4-5 LIGHT INDUSTRY L-N: 1KV	I/P: 230 VAC/50HZ O/P: FULL LOAD Ta: 25°C	CRITERIA A	P
6	E.S.D	BS EN/EN61000-4-2 LIGHT INDUSTRY AIR: 8KV / Contact: 4KV	I/P: 230 VAC/50HZ O/P: FULL LOAD Ta: 25°C	CRITERIA A	P

TEST RESULT	TESTER	REVIEW	APPROVAL
PASS	ZHU LI	WANG LW	ZHANG DL

Mechanical Specification

Unit:mm



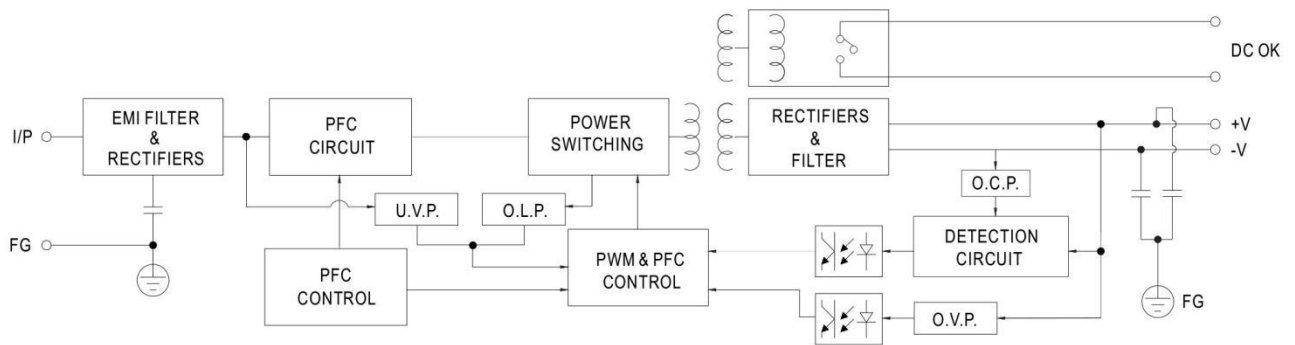
Terminal Pin No. Assignment (TB1)

Pin No.	Assignment
1	FG ⊕
2	AC/N
3	AC/L

Terminal Pin No. Assignment (TB2)

Pin No.	Assignment
1,2	Relay Contact
3,4	DC OUTPUT +V
5,6	DC OUTPUT -V

Block Diagram



DC OK Relay Contact

Contact Close	PSU turns on / DC OK.
Contact Open	PSU turns off / DC Fail.
Contact Ratings (max.)	30V/1A resistive load.